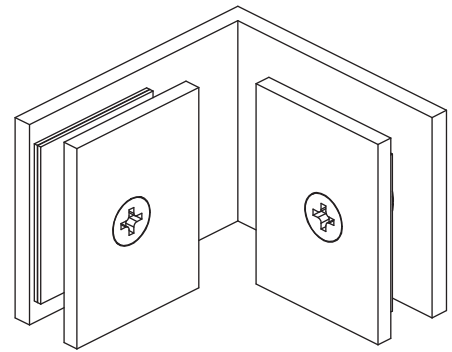


Installation Manual For 10.GGC.4026 90° Glass to Glass Fixed Clamp



NOTICE TO HOMEOWNER

- We recommend that this product is installed by a qualified professional plumber.
- Please check this product immediately to ensure that it has not been damaged and is complete. Before installation, please make sure this product is the correct model and you have all the parts required for installation and use.
- Please flush the water system to ensure that no metal swarf, solder, and other impurities can enter the product.
- Turn off water supply before commencing work.
- Please read these instructions carefully and retain for future reference.

BEFORE YOU BEGIN

- You must observe all local plumbing laws and codes.
- Do not instal valve if it does not meet local plumbing codes.
- Shut off the main water supply.

Installation Manual For 10.GGC.4026

90° Glass to Glass Fixed Clamp

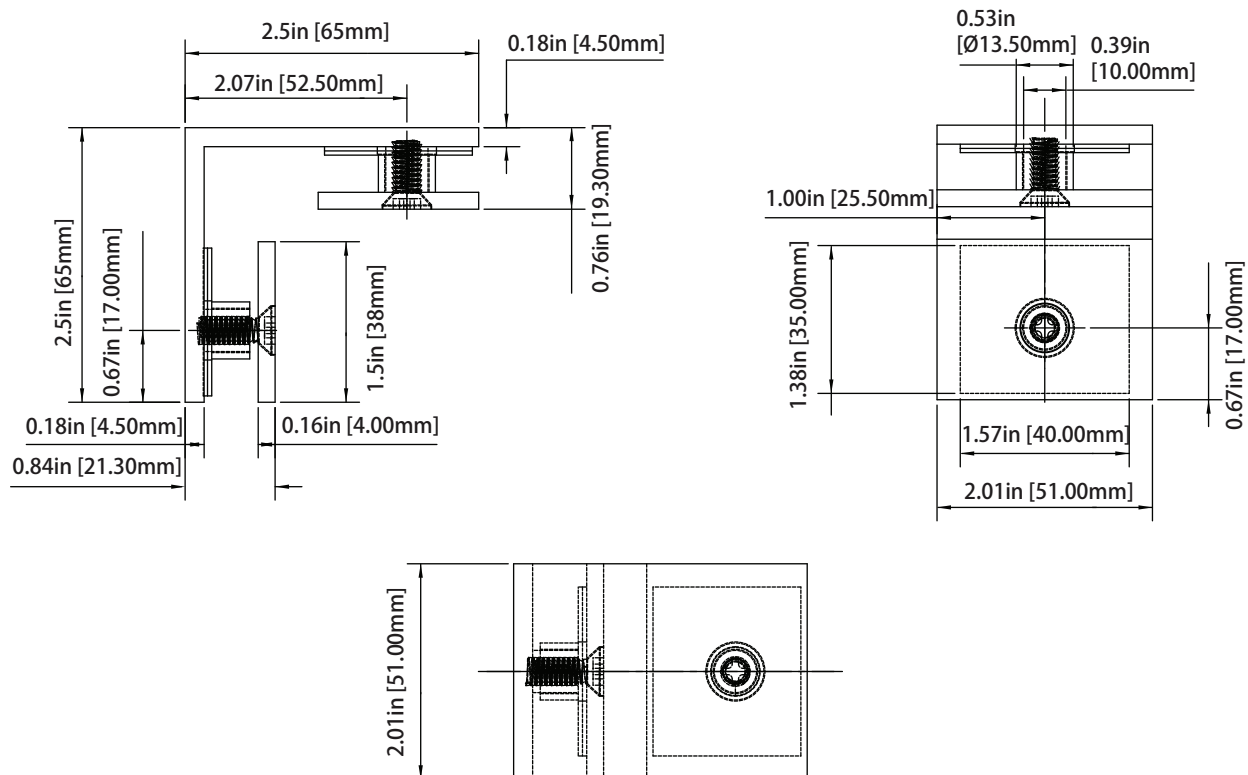
TABLE OF CONTENTS

| | |
|------------------------------------|---|
| OPERATING SPECIFICATIONS | 3 |
| INSTALLING HINGES | 5 |

OPERATING SPECIFICATIONS

- **Glass Size:** 3/8" to 1/2" (10 to 12 mm) Tempered Glass only
- **Construction:** Solid Brass
- **Included:** Clamp body, glazing gaskets, mounting screws, and fabrication template
- **Use:** Residential Bath Commercial Hotel Applications

TECHNICAL DRAWING



SPECIFICATION

• GASKET SPECIFICATIONS:

For 3/8" (10mm) Glass: Use One Thick Gasket On Each Side
For 1/2" (12mm) Glass: Use One Thin Gasket On Each Side

• GASKET INSTRUCTIONS:

Only use tempered safety glass, To prevent damage to the clamp finish
During Installtion, do not use power tools when installing these clamps.

• CARE & CLEANING GUIDELINES:

For best result, keep the following recommendations in mind when caring
for you shower door hardware. Your shower door hardware should be dried
daily with a soft towel or cloth to insure its original finish.

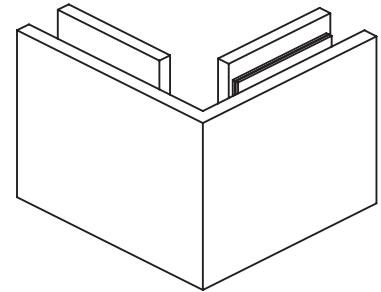
Do not use harsh cleaners or chemicals on the hardware, as many of the
components are coated with a clear lacquer that will become damaged
beyond repair.

Always test your cleaning solution in an inconspicuous area prior to cleaning
the entire hardware surface.

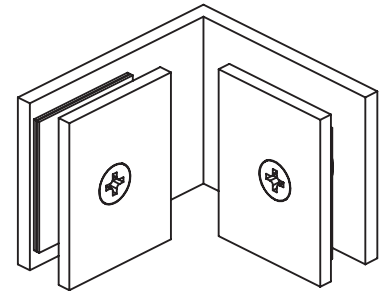
Wipe surfaces clean using a soft dampened cloth or sponge and rinse completely
with warm water immediately after applying the cleaning solutions.

Use only smalll amout of liquid, gentle cleaner.

Never use abrasive products, sponges, or wire scrub brushes while cleaning
hardware.



FRONT VIEW

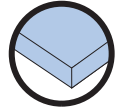


REAR VIEW

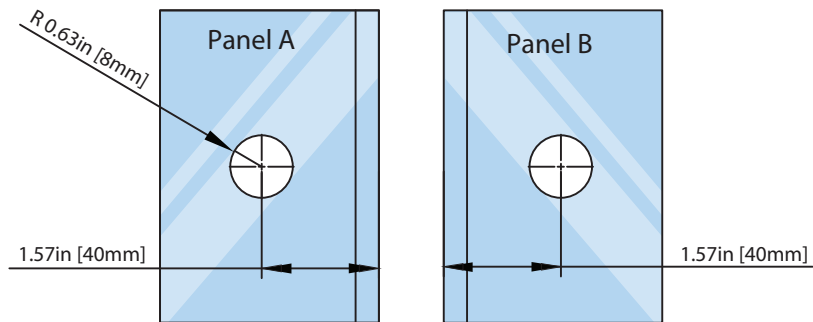
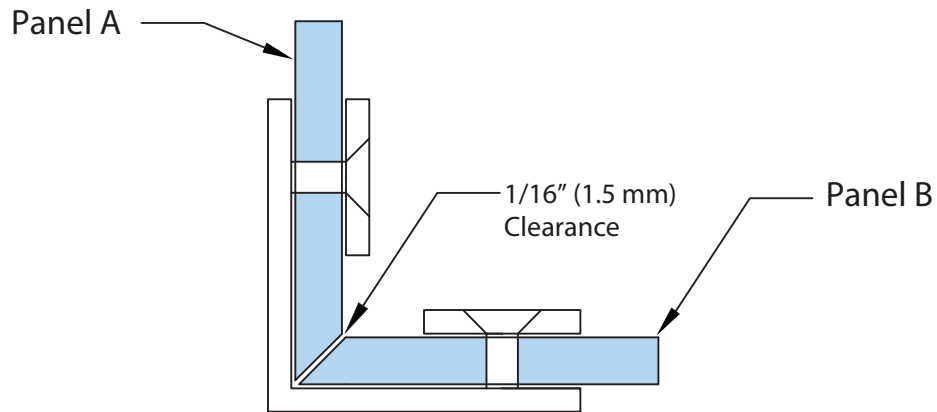
INSTALLATION

GLASS CUTOUT DETAILS :

90° Glass to Glass Fixed Clamp
Item No: 10.GGC.4026

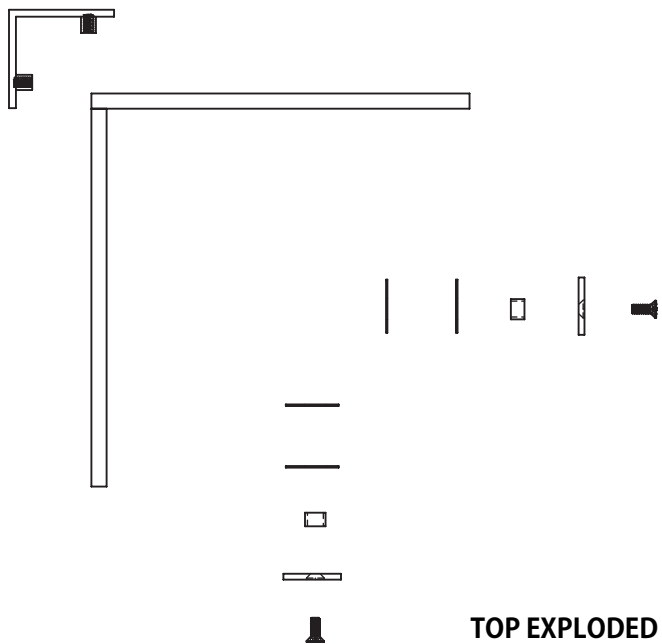


USE ONLY
MONOLITHIC
TEMPERED GLASS

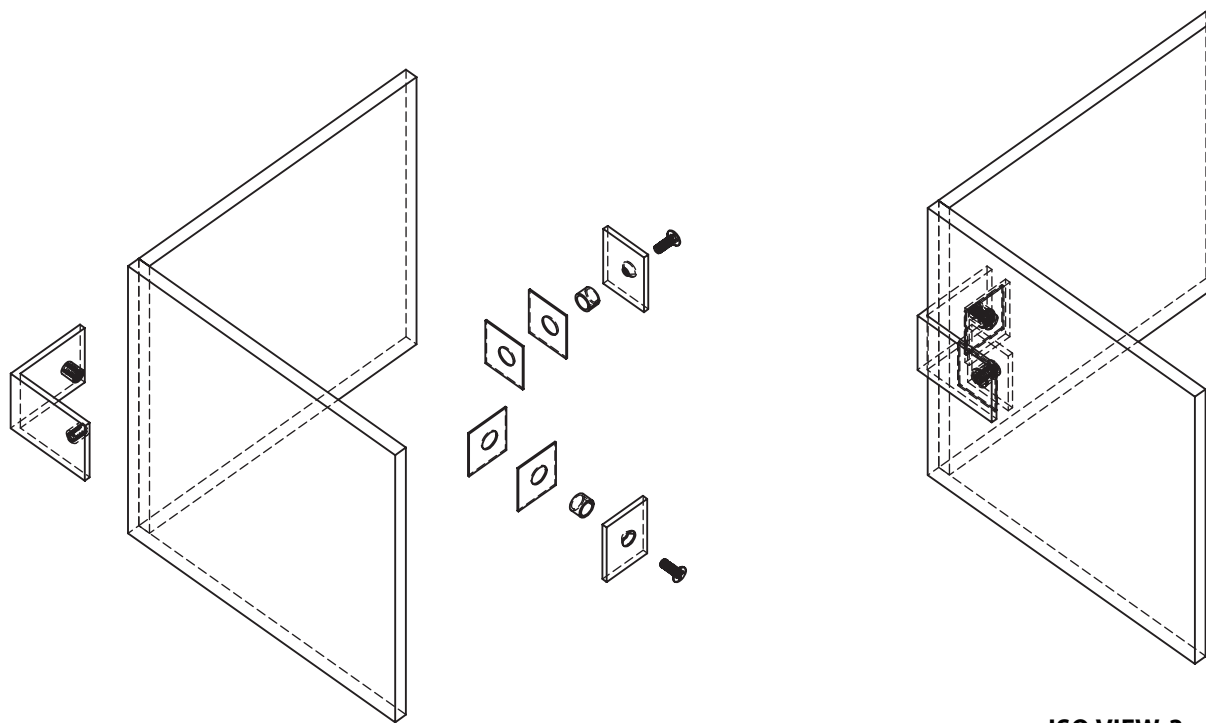


Tolerance : ± 0.1
Glass Thickness: 3/8in [~10mm] to 1/2in [~12mm]

INSTALLATION



TOP EXPLODED VIEW-1



ISO EXPLODED VIEW-2

ISO VIEW-3